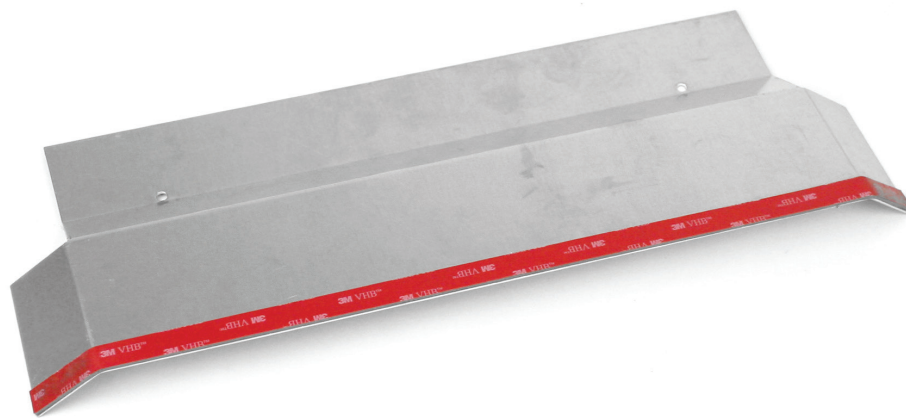
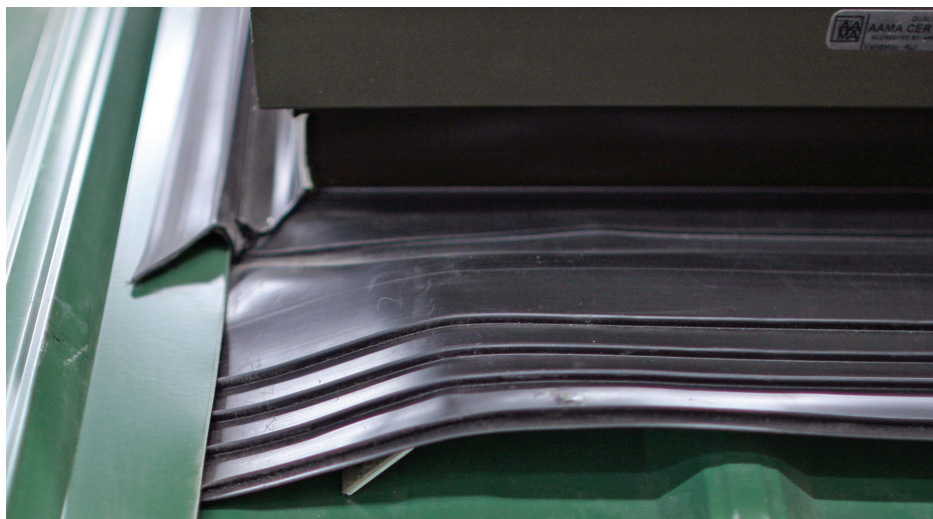
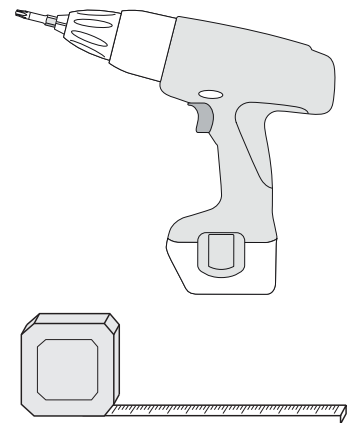


VELUX E-CLASS installation instructions

Metal roof adapter installation supplement

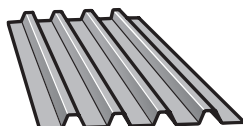


Tools Needed

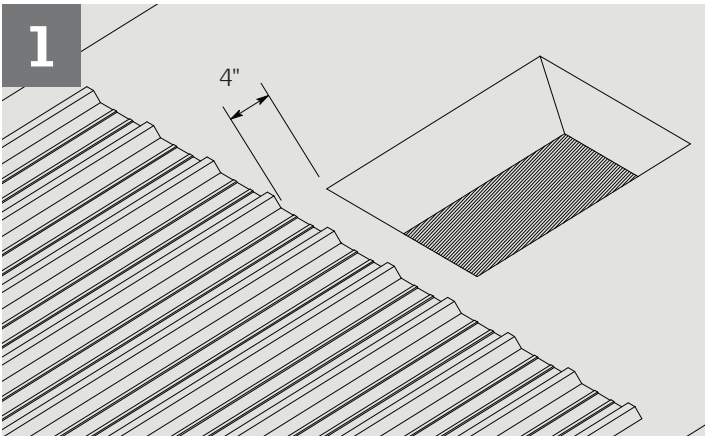


Important:

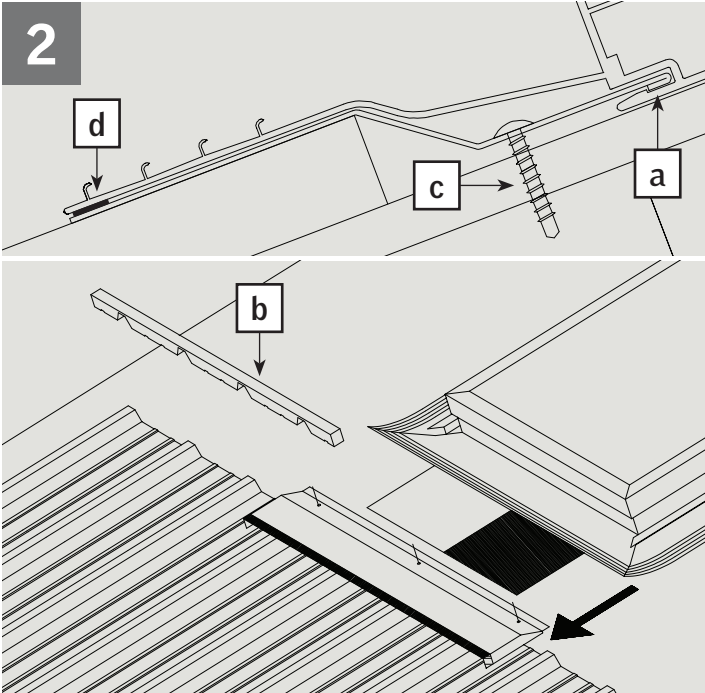
- Minimum roof pitch 4:12 (18.5°)
- Maximum 1" roofing profile height
- Follow standard E-Class Installation instructions for general practices not covered here (V4523)



PELIGRO RIESGO DE CAÍDA POR EL TRAGALUZ



Install roofing to 4" from the bottom edge of the skylight rough opening. Grind or file any sharp edges on the roof panel that are less than 8" from the opening.

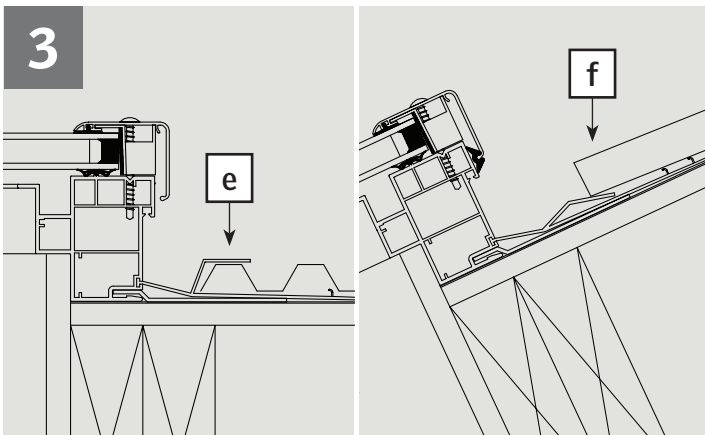


Insert roof adapter into groove under the flange on the bottom edge of the skylight (a). Place skylight over the rough opening.

Install foam filler gasket (supplied by roofing manufacturer) under the metal roof adapter (b).

Lift flange and screw the adapter to roof deck (c). Install clips around the remaining three sides of the E-Class unit and attach to roof deck (see E-Class installation guide V4523).

Remove paper from double-sided tape on edge of flashing and adhere flange (d).



Install roofing around the unit sides under the water diverter gasket (e), and over the water diverter gasket at the top (f).

Install foam filler gasket (supplied by roofing manufacturer) at the top of unit.

Grind or file all sharp roofing edges.