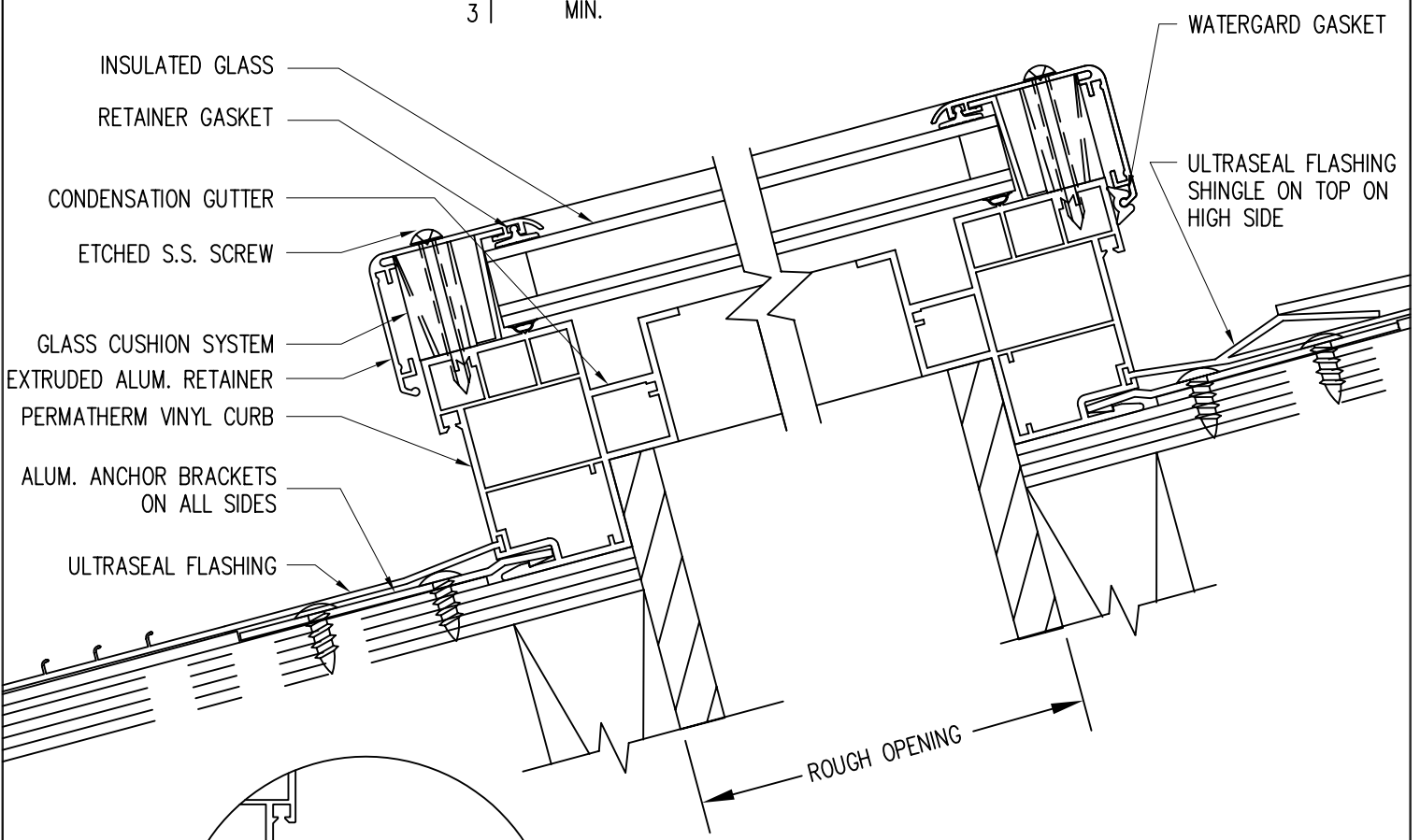


12
3 | MIN.

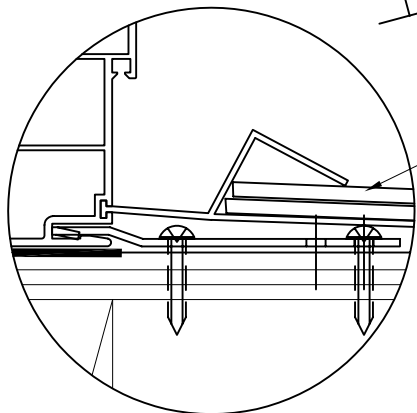


- INSULATED GLASS
- RETAINER GASKET
- CONDENSATION GUTTER
- ETCHED S.S. SCREW
- GLASS CUSHION SYSTEM
- EXTRUDED ALUM. RETAINER
- PERMATHERM VINYL CURB
- ALUM. ANCHOR BRACKETS ON ALL SIDES
- ULTRASEAL FLASHING

- WATERGARD GASKET
- ULTRASEAL FLASHING SHINGLE ON TOP ON HIGH SIDE

ROUGH OPENING

SHINGLES UNDER FLASHING LEG AT SIDES



DETAIL D1A
FLASHING LEG AT JAMB LOCATIONS



WASCO PRODUCTS, INC.
22 PIONEER AVENUE, SANFORD, MAINE 04073
(207) 324-8060, FAX (207) 490-5271

EF
SILL DETAIL

D1