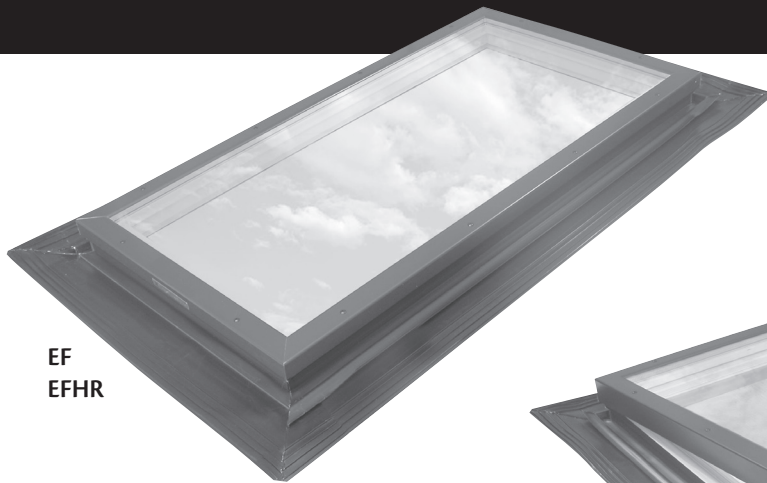
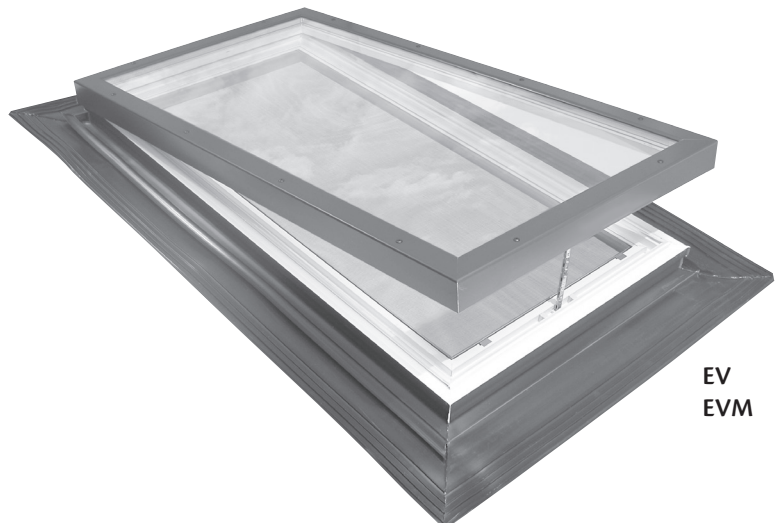




Installation Instructions for Wasco[®] E-Class Skylights



EF
EFHR



EV
EVM



STEP 1

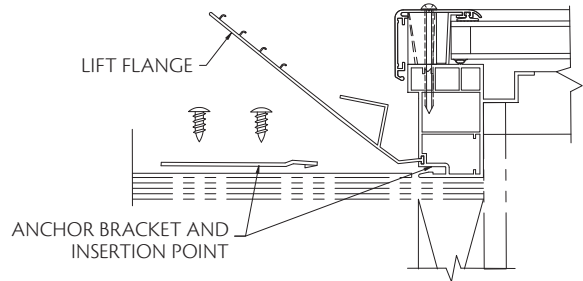
Snap the aluminum brackets (provided) in the groove found directly underneath the Ultraseal Flashing, spacing approximately 6" from corners (4" on 14" side) and in the middle of the side when 3 are used. Screw to deck with screws provided.



SIDE	BRACKETS PER SIDE
14"	2
22"	2
30"	2
38"	3
46"	3

IMPORTANT

- Use brackets and screws provided to attach to roof. DO NOT use any mastic or cements.
- DO NOT apply sticky side of ANY self-adhered membrane to flexible flange. Apply sticky side to roof deck only.
- Keep nails no closer than 2-1/2" from skylight frame



STEP 2

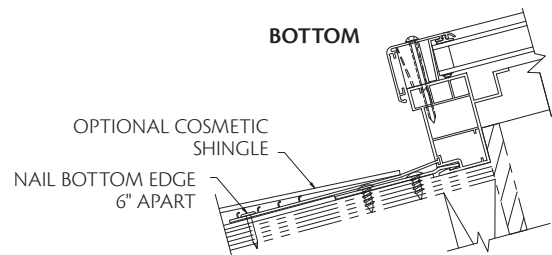
At the bottom: Place flange over shingles and nail the outer edge of the flexible Ultraseal Flashing down to the roof deck with roofing nails spaced about 6" apart. Then apply one nail to each top corner to hold unit in place. Ultraseal Flashing is self-sealing around nail penetrations.



You may wish to place shingles across the bottom edge of the flashing if you prefer that appearance.

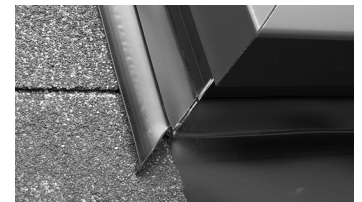
IMPORTANT

The Ultraseal Flashing MUST be OVER the bottom row of shingles at this point in order for water to drain correctly onto the shingles below.



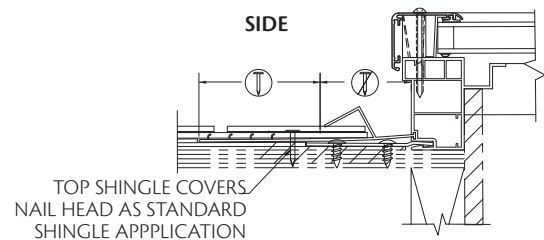
STEP 3

At the sides: Place shingles over flat ribbed portion of flexible flange, then trim shingles as needed, and tuck UNDER L-Gasket and nail.



IMPORTANT

To properly secure shingles, nails may penetrate the Ultraseal flashing only in the area shown. Ultraseal Flashing is self-sealing around nail penetrations.



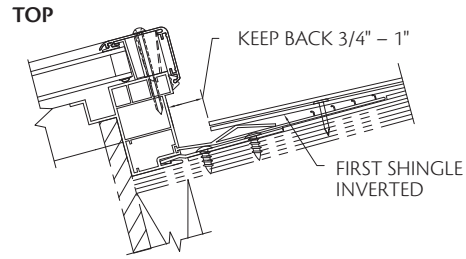
STEP 4

At the top: Place shingles OVER the flexible flange and the L-gasket as follows: First, nail an inverted shingle(s) across the width of the skylight (similar to use of starter shingle at roof edges). An inverted shingle would have bottom edge of shingle facing up the slope.



STEP 5

Next, continue the shingles up from the sides of the skylight, and place the next top course of shingles over the first applied inverted shingle.

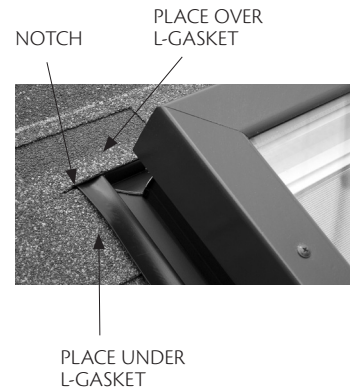
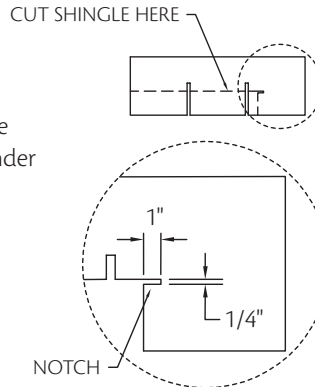


IMPORTANT

Be sure that the shingles at the top (both the inverted and normal) are OVER the L-Gasket and approximately 3/4"–1" away from the frame. Ultraseal Flashing is self-sealing around nail penetrations.

STEP 6

If necessary, notch shingle as shown. This notch will facilitate the transition from the side of the skylight where the shingles go under the L-Gasket, to the top where they go over it.

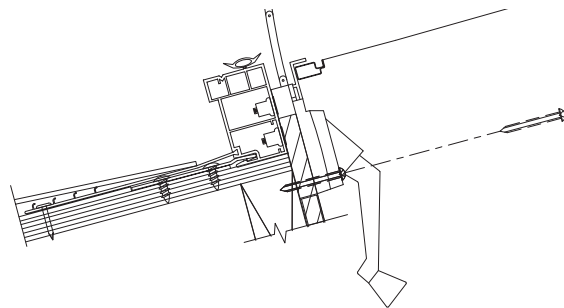


STEP 7

Continue shingling to complete installation.

STEP 8 (Vent Unit Only)

Attach the operator to the well framing with the two wood screws provided in the hardware kit.

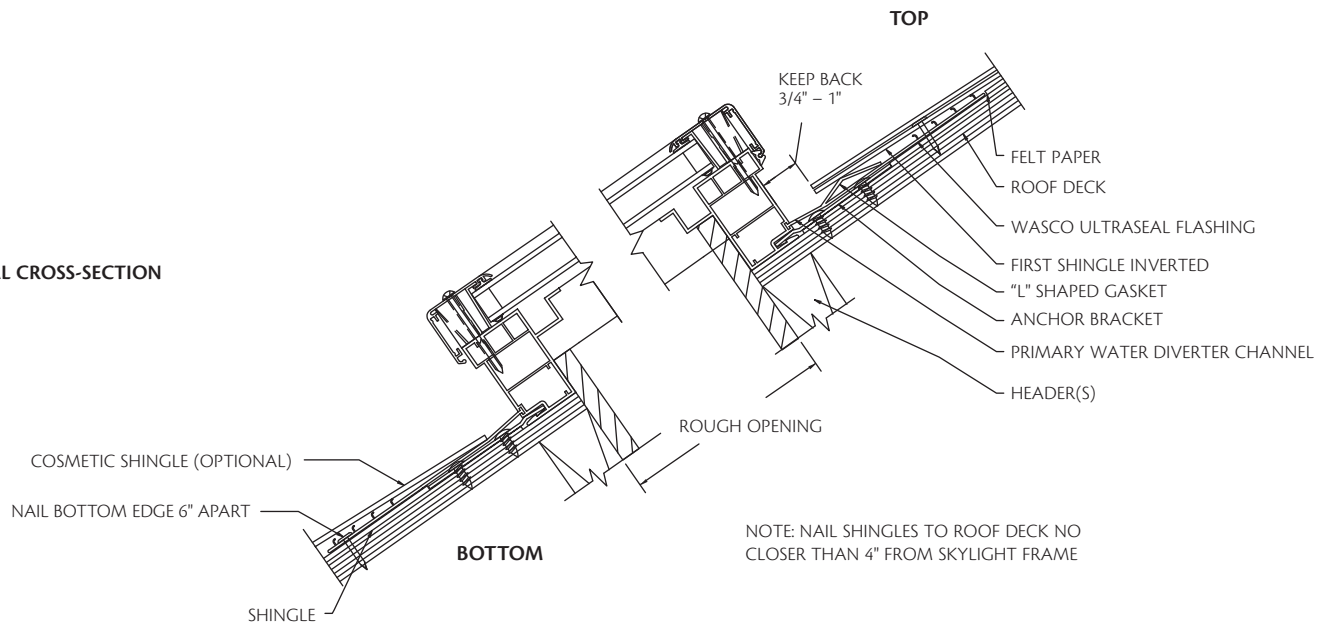


Please visit our web site www.wascoskylights.com for:

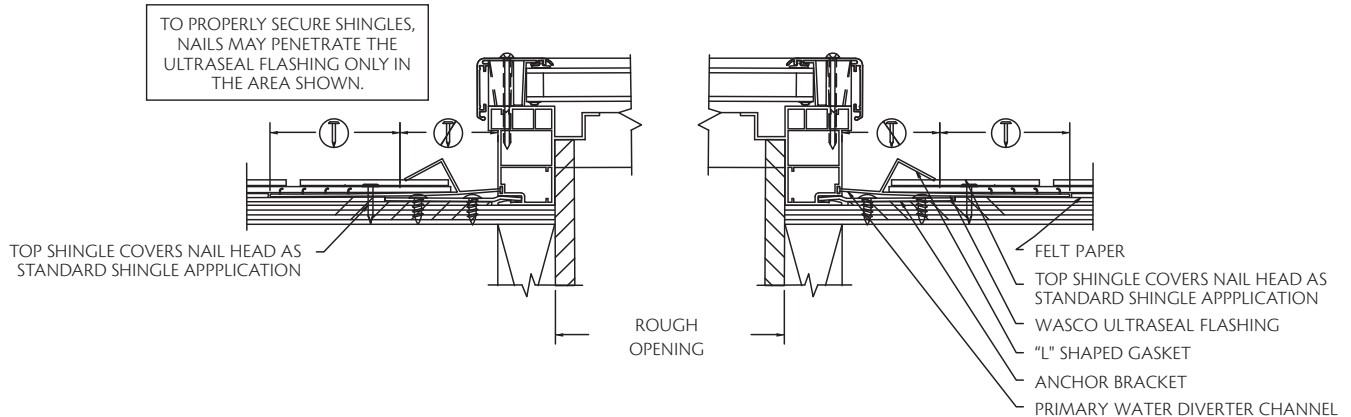
- Installation video
- Light shaft suggestions and instructions
- Wood shakes instructions
- Instructions for installing side-by-side units
- Metal roof instructions

Customer service can be reached at 800-388-0293.

VERTICAL CROSS-SECTION



HORIZONTAL CROSS-SECTION



VENT UNIT SASH REMOVAL

