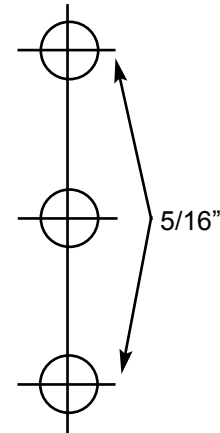
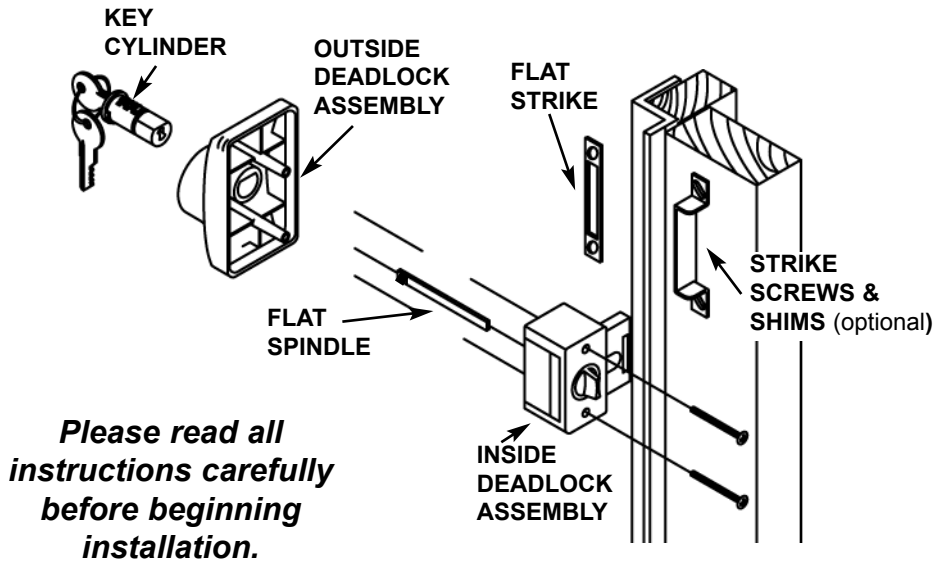


Accents Georgian Deadlock Installation Instructions



Before drilling installation holes, check that the inside elements will reach the strike plate and not interfere with the "Z" bar.

TOOLS REQUIRED FOR INSTALLATION USING EXISTING MOUNTING HOLES: Phillips Screwdriver.

TOOLS REQUIRED FOR NEW INSTALLATION OR RELOCATION OF LATCH: Phillips Screwdriver, Drill, 5/16" Drill Bit, Centerpunch. Use template above, if necessary, to drill new installation holes.

CAUTION: LOCATE INSTALLATION SO THAT DEADLOCK WILL NOT INTERFERE WITH ENTRANCE LATCH

	3/4" DOOR	1" DOOR	1 1/4" DOOR
SPINDLE SCREWS	SHORT	LONG	LONG
	SHORT	MEDIUM	LONG

Before beginning installation, measure the thickness of your door and use the chart above to find correct spindle and screws.

Installation of Deadlock

- Assemble the key cylinder to the outside plate by inserting the key cylinder into the outside plate and turning the key one half turn (180 degrees). Remove the key from the cylinder prior to further installation.
- From the outside, guide the outside deadlock assembly through the installation holes. Insert the flat spindle through the center hole and into the key cylinder. (Fig. 1)
- On the inside of the door install the deadlock over the flat spindle (Fig. 1) with bolt extended toward the jamb. Insert the two machine screws through the deadlock and draw together.
- With the door closed, extend the deadbolt and position the square strike on the jamb to engage the deadbolt. Install strike. If needed, use shims to extend the strike.
- (Optional) If a flat strike is required, extend the bolt to the locked position. Mark the outline of the bolt where it contacts the jamb. Chisel clearance for bolt in jamb and install the flat strike.

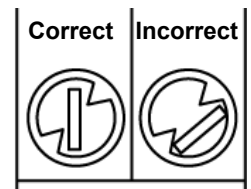


Fig. 1

How to Polish: Polish your brass hardware immediately after installing it. A non-abrasive furniture or automotive wax will work well for this purpose. After the wax has dried, use a soft clean cloth to wipe the surface. Repeat this process every month or so to maintain the brilliance and luster of your hardware. (Do not use an abrasive, solvent, acetic or alcohol polish).

How to Clean and Care for Your Brass Hardware: Use a soft, clean, dry cloth to remove oils, dirt and smudges from your brass hardware. Never use an abrasive cleaning solution or chemicals like glass cleaner, acid, etc. Do not let abrasive or sharp objects scour or strike the polished brass surface area.

To maintain proper operation of your door hardware, periodically check your mounting screws for tightness.