

ALBRIGHT INSWINGING LATCH INSTALLATION INSTRUCTIONS

1. Fold on dashed line.

2. With door in closed position place this leaf of instructions on the outside of door with the fold (dashed line) against the wood stop or metal Z-bar, whichever projects farther, and mark the (3) 1/4" diameter hole centers.

3. Drill (3) 1/4" diameter holes straight through the door.

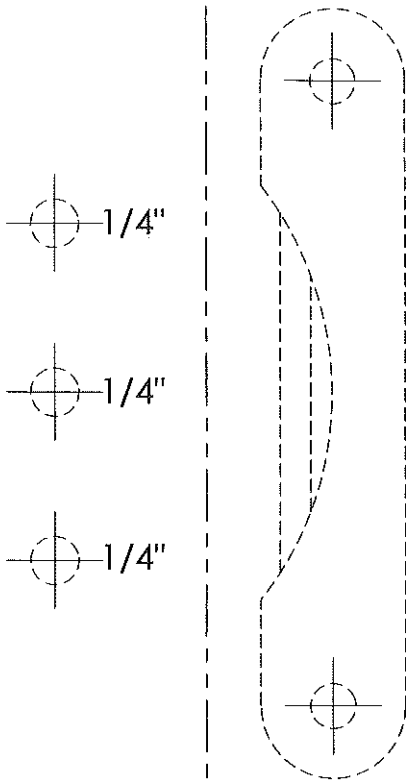
4. Unfold instructions and place on inside of door with (3) 1/4" diameter circles over the (3) holes you drilled in Step #3 and mark location of (2) strike mounting holes on door jamb.

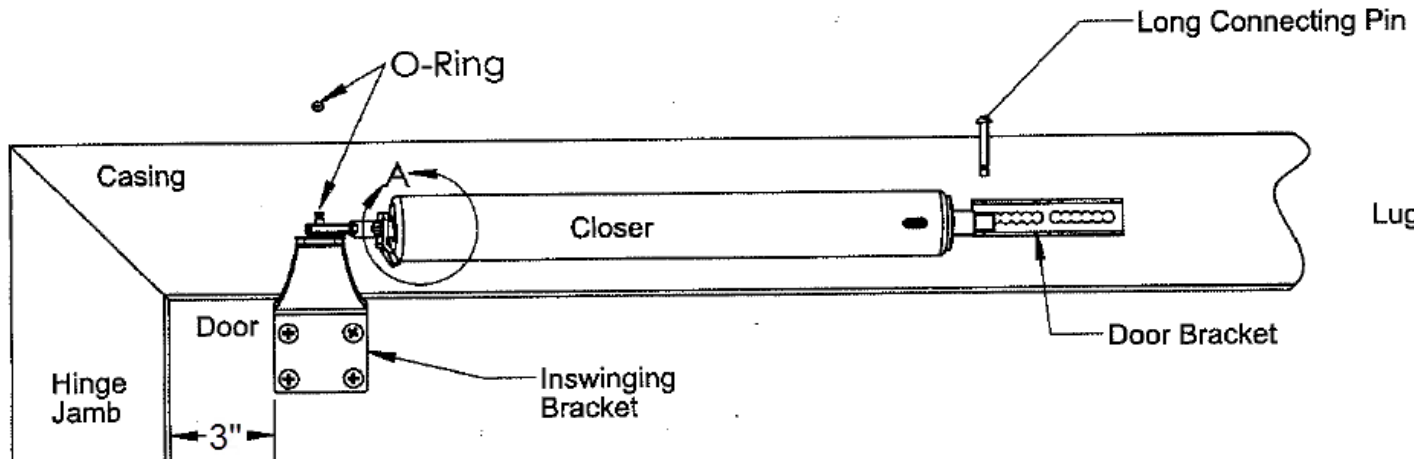
5. Insert square spindle into the inside latch assembly and position on inside of door, Install outside latch assembly and secure with (2) machine screws. If the spindle binds enlarge center hole.

6. Attach strike to wood jamb with Sheet Metal Screws.

NOTE: If latch kit contains key cylinder option use KEY CYLINDER INSTALLATION INSTRUCTIONS included with key cylinder assembly.

83743, REV A

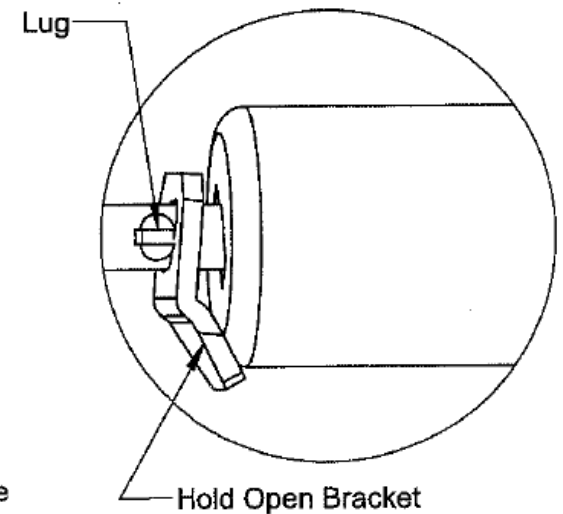




- 1) Remove O-Ring from post on Inswinging Jamb Bracket. Set aside for reassembly in Step 3.
- 2) Install Inswinging Jamb Bracket at upper edge of door as shown 2 inches from edge of door.
- 3) Slide Hold Open Bracket on Closer Rod. Place Closer Rod hole over post on Inswinging Jamb Bracket. Install O-Ring in groove on Inswinging Jamb Bracket post. Pull Closer out slightly to position Hold Open Bracket over lugs and against tube. (See Detail A). Do not change until installation is complete.
- 4) With door tightly closed, attach Door Bracket to front hole in closer with Long Connecting Pin. Making sure Closer is level hold Door Bracket against the door. Mark and drill two 1/8 inch holes 1/2 inch deep. Fasten Door Bracket with two short screws.
- 5) Open door and move Hold Open Bracket back of lugs on Closer Rod. Closer speed may be adjusted by turning adjusting screw on end of closer.

Latching Force Adjustment

The installation above is recommended for winter use, or when the glass storm panel is in place. For a smoother quieter closing, hold door open with the Hold Open Bracket and remove Long Connecting Pin from Door Bracket. Reinstall the Long Connecting Pin in the rear hole of the closer tube. This position is recommended for summer use when the screen panel is in place.



DETAIL A